



actual size

# Oscillator · VCXO · 5.0 V

SMD Voltage Control Crystal Oscillator · 7.5 x 5.0 mm

- two pinout versions available
- reflow soldering temperature: 260 °C max.
- ceramic/metal package



## General Data

<b>type</b>	<b>JV75 5.0 V</b>	
frequency range	1.0 ~ 80.0 MHz	
frequency stability over all*	± 25ppm* / ± 50ppm	
	see table 1	
current consumption	see table 2	
supply voltage V <sub>DC</sub>	5.0 V ± 5%	
frequency pulling range min.	± 50ppm / ± 100ppm / ± 150ppm <sup>▲</sup>	
pulling control voltage	2.5 V ± 2.0 V <sup>■</sup>	
pulling linearity	<10%	
temperature	operating	-10 °C ~ +70 °C / -40 °C ~ +85 °C
	storage	-55 °C ~ +125 °C
output	rise & fall time	see table 3
	load max.	15pF
	current max.	8mA
	low level max.	0.1 x V <sub>DC</sub>
	high level min.	0.9 x V <sub>DC</sub>
standby function	yes	
start-up time max.	10ms	
symmetry at 0.5 x V <sub>DC</sub>	45% ~ 55% max.	

Table 1: Frequency Stability Code

stability code	B	C			
	± 50 ppm	± 25 ppm			
-10 °C ~ +70 °C	○	○			
-40 °C ~ +85 °C	○	○			

● standard ○ available

\* includes stability at 25 °C, operating temp. range, supply voltage change, shock and vibration, aging 1st year.

Table 2: Current Consumption max.

Current at 15pF load:	
1.0 ~ 17.9 MHz	20 mA
18.0 ~ 35.9 MHz	30 mA
36.0 ~ 51.9 MHz	40 mA
52.0 ~ 80.0 MHz	50 mA

Table 3: Rise & Fall Time max.

5.0 ns:	1.0 ~ 39.9 MHz	<b>note:</b> - specific data on request - rise time: 0.1 V <sub>DC</sub> ~ 0.9 V <sub>DC</sub> - fall time: 0.9 V <sub>DC</sub> ~ 0.1 V <sub>DC</sub>
4.0 ns:	40.0 ~ 80.0 MHz	

## Recommendation

To avoid phase noise or FM modulation in the output frequency spectrum, we recommend to feed the Vcontrol input pin by a low source impedance.

\* not available > 52.0 MHz ▲ on request, if < 52.0 MHz

## Dimensions

top view

side view

bottom view

pad layout

**standard pin connection B**

# 1: Vcontrol  
 # 2: e/d  
 # 3: ground  
 # 4: output  
 # 5: nc  
 # 6: VDD

**optional pin connection A**

# 1: Vcontrol  
 # 2: nc  
 # 3: ground  
 # 4: output  
 # 5: e/d  
 # 6: VDD

in mm

## Order Information

<b>0</b>	frequency in MHz	type	frequency stability in ppm	supply voltage in Volt	pulling range in ppm	pin version	option
Oscillator	1.0 ~ 80.0 MHz	JV75	C = ± 25 ppm B = ± 50 ppm	5.0 = 5.0 V	05 = ±50 ppm 10 = ±100 ppm 15 = ±150 ppm*	B = standard A = optional	blank = -10°C ~ +70°C T1 = -40°C ~ +85°C

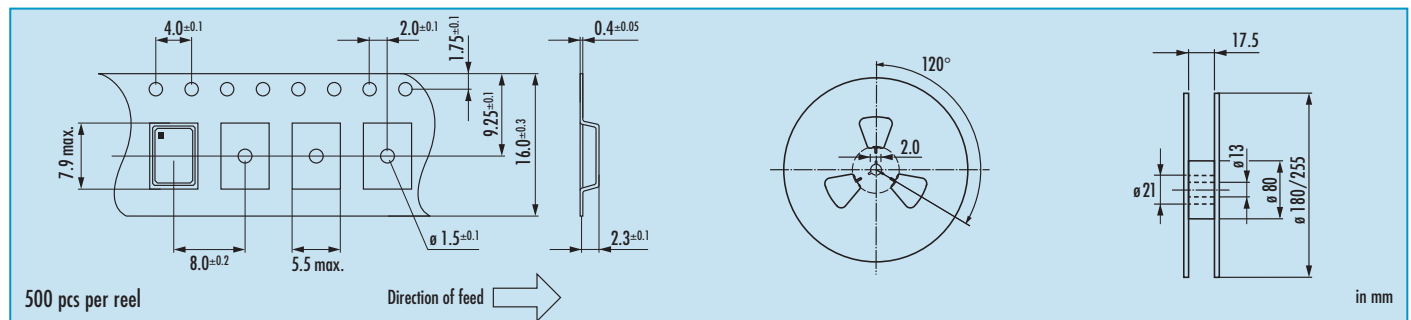
\* on request, if < 52.0 MHz

**Example: O 20.0-JV75-B-5.0-10-B** (LF = RoHS compliant / Pb free pins or pads)

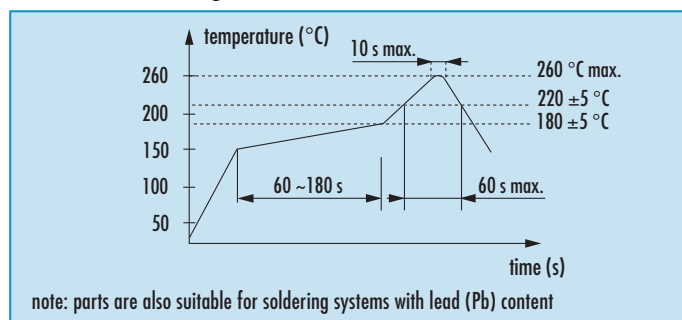


# Oscillator · VCXO · JV75 · 5.0 V

## Taping Specification



## Reflow Soldering Profile



## Marking

frequency

type / date code

date code:

A ~ M: Jan. - Dec.

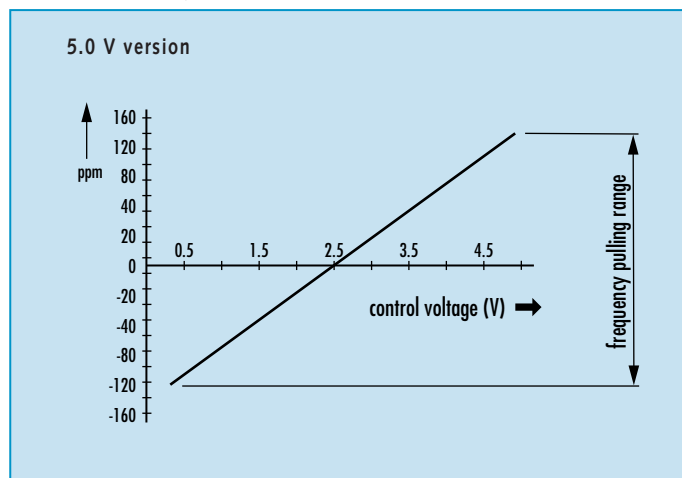
9: 2009

0: 2010

1: 2011

Jan.	Febr.	Mar.	Apr.	May	June
A	B	C	D	E	F
July	Aug.	Sept.	Oct.	Nov.	Dec.
G	H	J	K	L	M

## Control Voltage Characteristic



## Packing Note

- standard packing units are 500 pieces per reel
- non-multiple packing units are only supplied taped / bulk

## Enable / Disable Function

<b>pin #2/#5</b>	<b>pin #4</b>
open or high	oscillation
gnd or low	high impedance